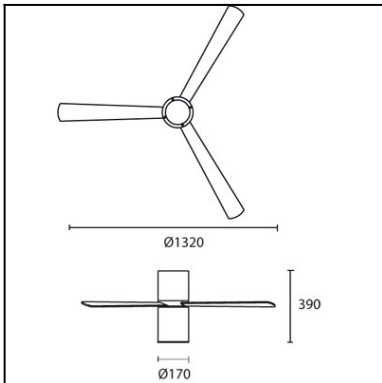


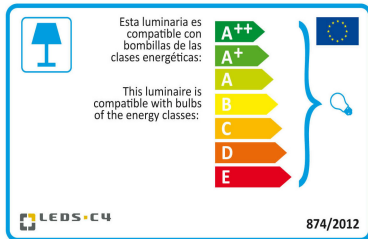
Design by Estudi Ribaudí



The photograph may not match the reference exactly. Please read the product description to identify the finish.



[Download photometric file .ldt /.ies](#)



[Click on image to download energy label](#)

TECHNICAL CHARACTERISTICS

Type:	Fan
RPM:	100/150/200
IP Protection degrees:	IP20
Light source 1:	1 x E27 MAX.23W Maximum lamp length: 140.00 mm Maximum lamp diameter: 56.00 mm
Total power consumption (W):	89
Voltage / Frequency:	230V/50Hz
Warranty (Years):	2
Units per box:	1
Net Weight (Kg):	6.8
EAN:	843511 1082829



MATERIALS / FINISHES

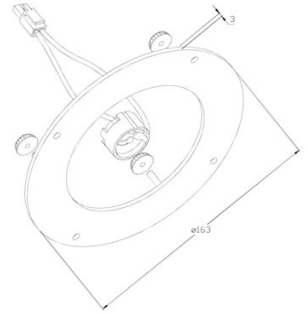
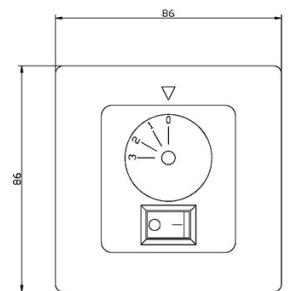
Structure material:	Steel	Diffuser material:	Acrylic
Structure finish:	Textured grey	Diffuser finish:	White Opal
Blades material:	Plywood		
Blades finishes:	White Textured grey		

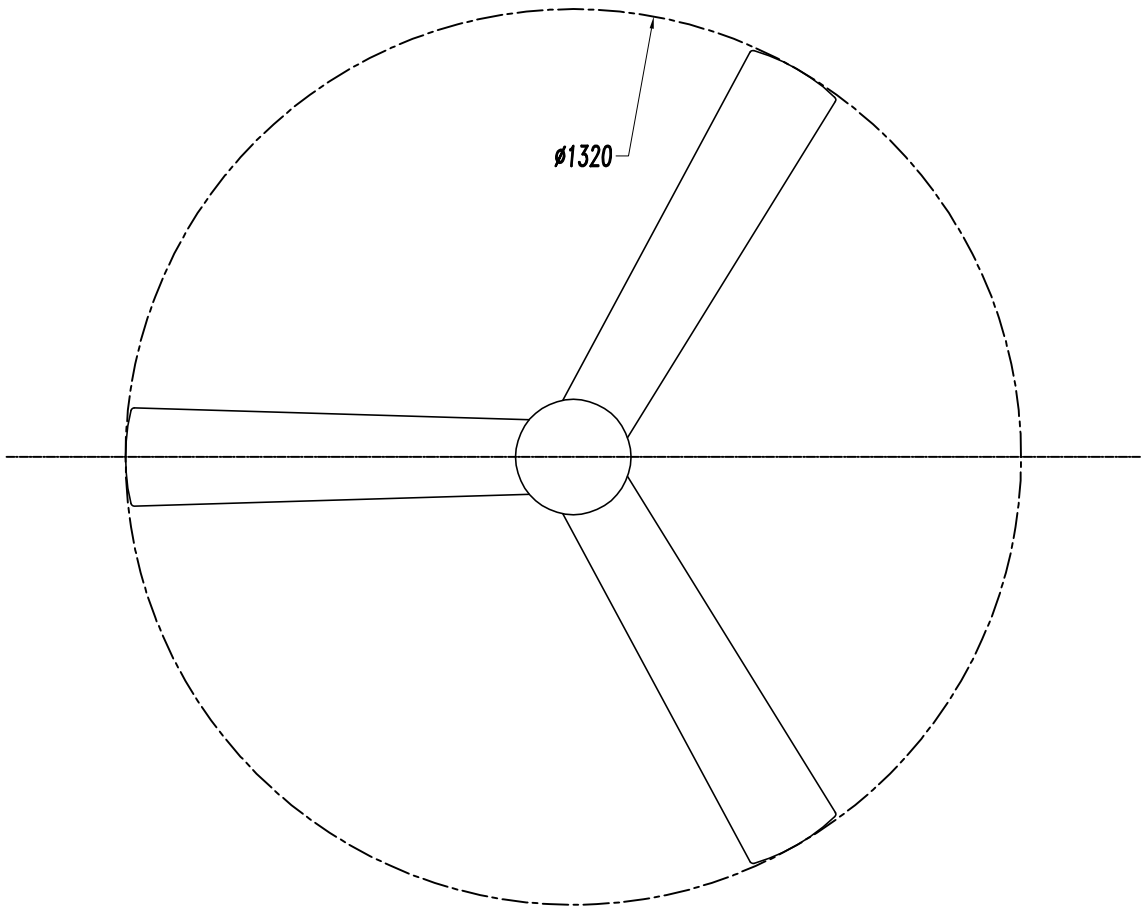
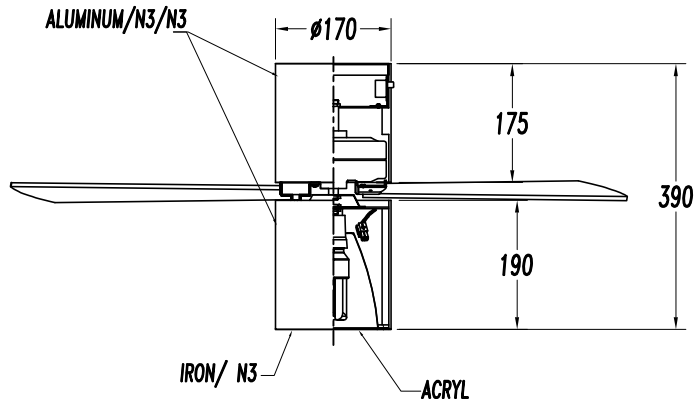
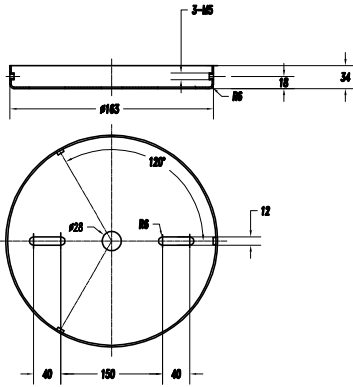
71-4393-N3-N3Optional lighting kit, Grey**Structure material:**

Steel

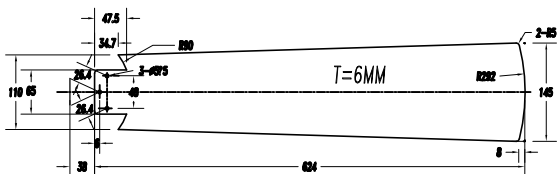
Structure finish:

Grey

**71-4932-00-00**Optional lighting kit, Bright white



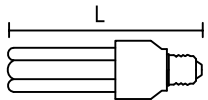
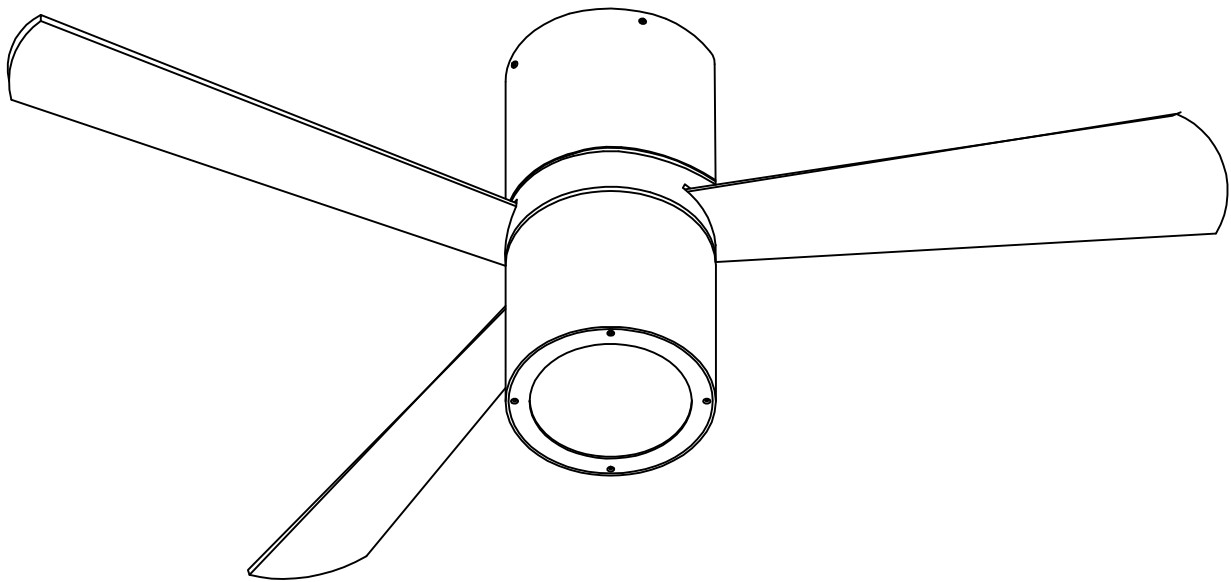
WOOD / WHITE&GREY





LED S-C4

30-4393



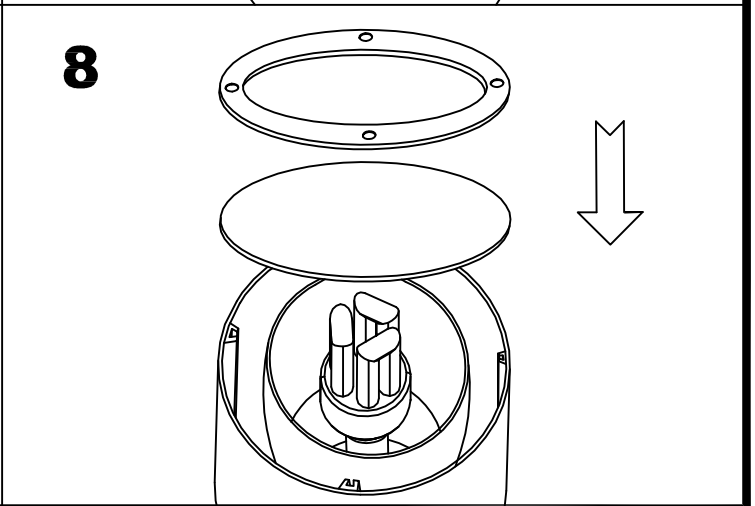
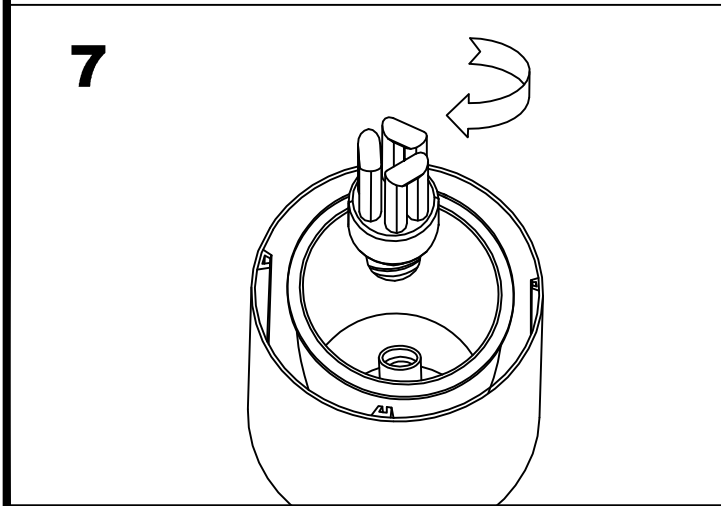
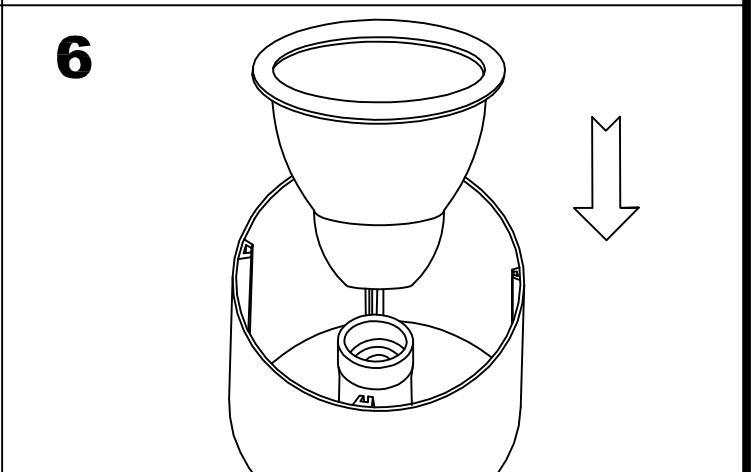
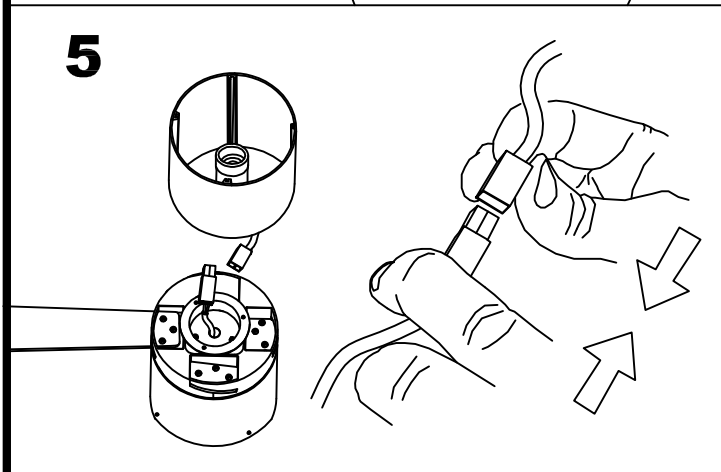
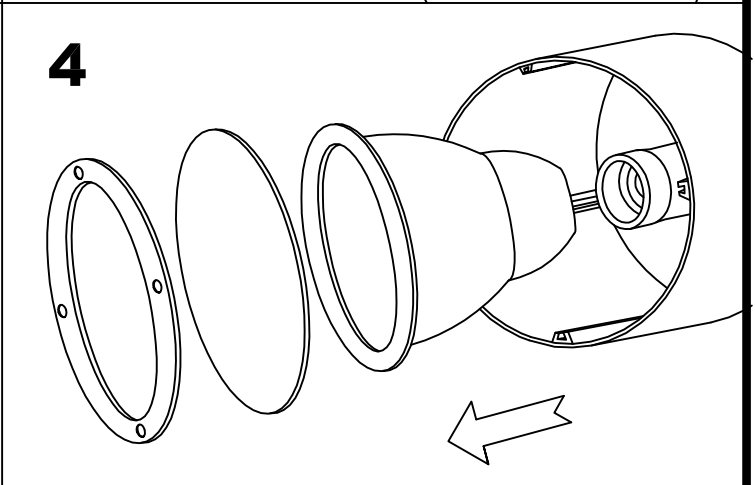
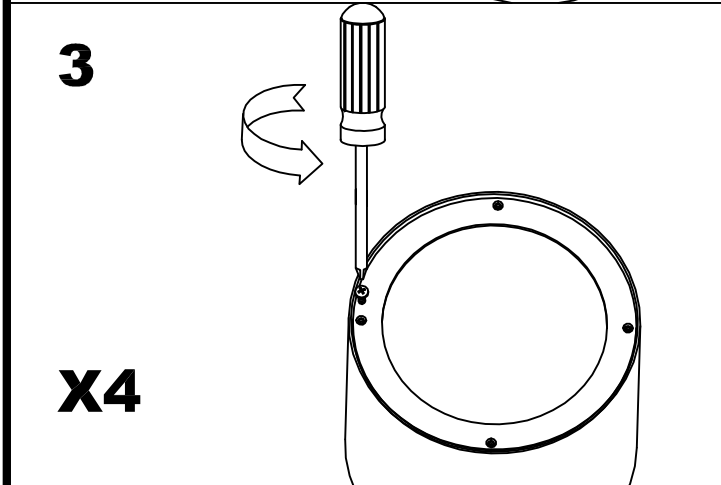
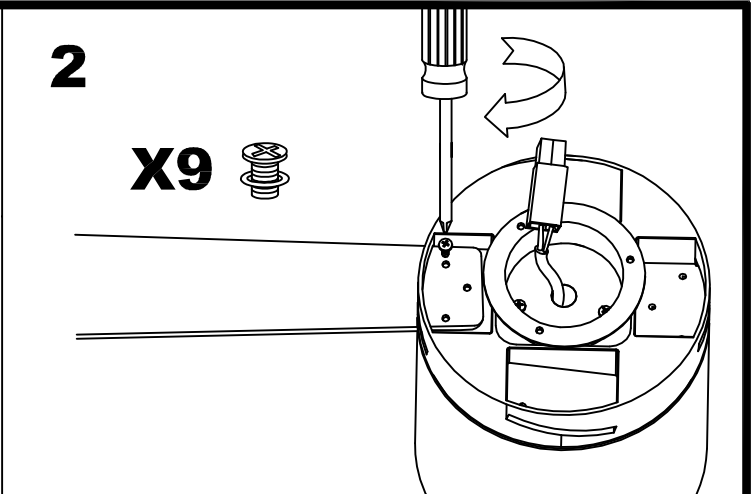
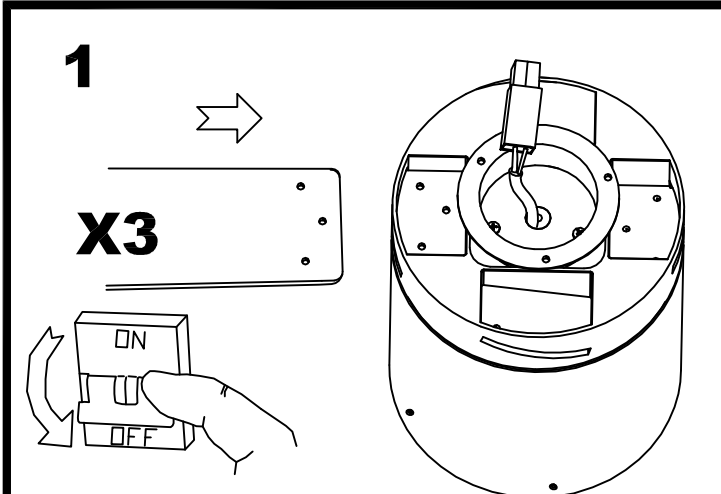
L max: 135mm / W max: 23W



Recommend TWIST OSRAM 23w



LED S-C4



9

X4

10

x2

11

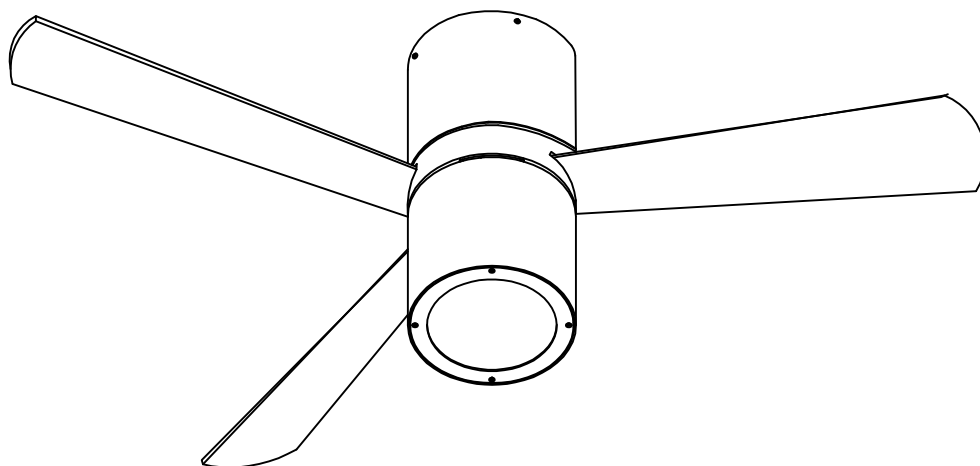
X4

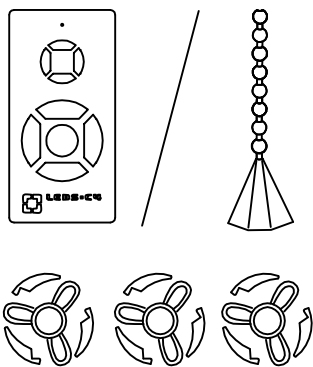
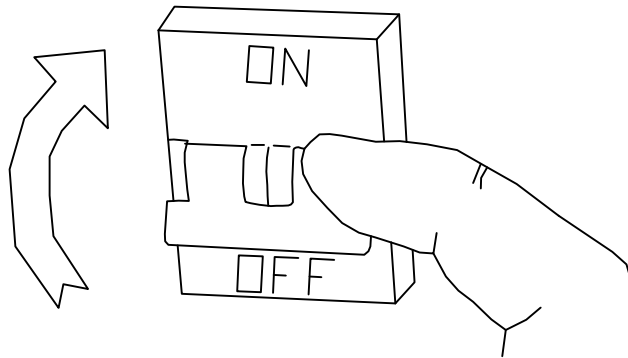
B

A

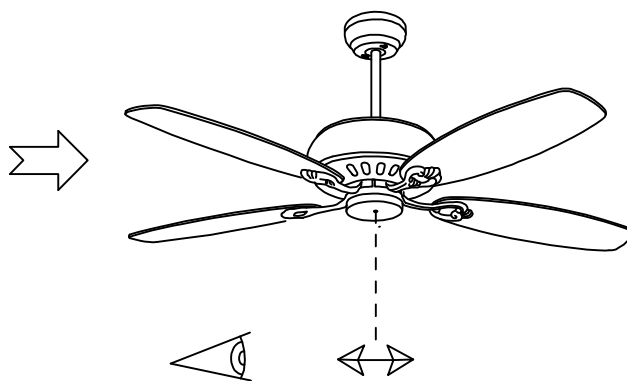
12

①	
②	
③	
④	
⑤	
⑥	
⑦	
⑧	STOP
⑨	

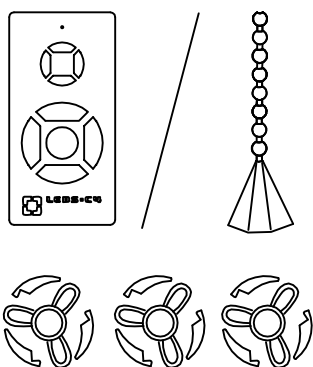




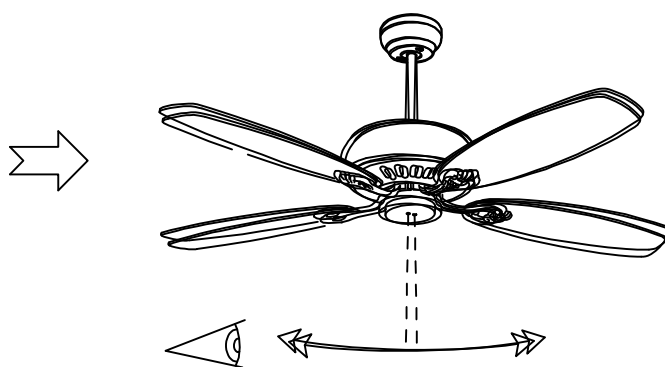
ON



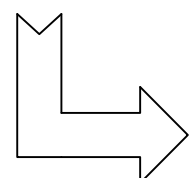
OK

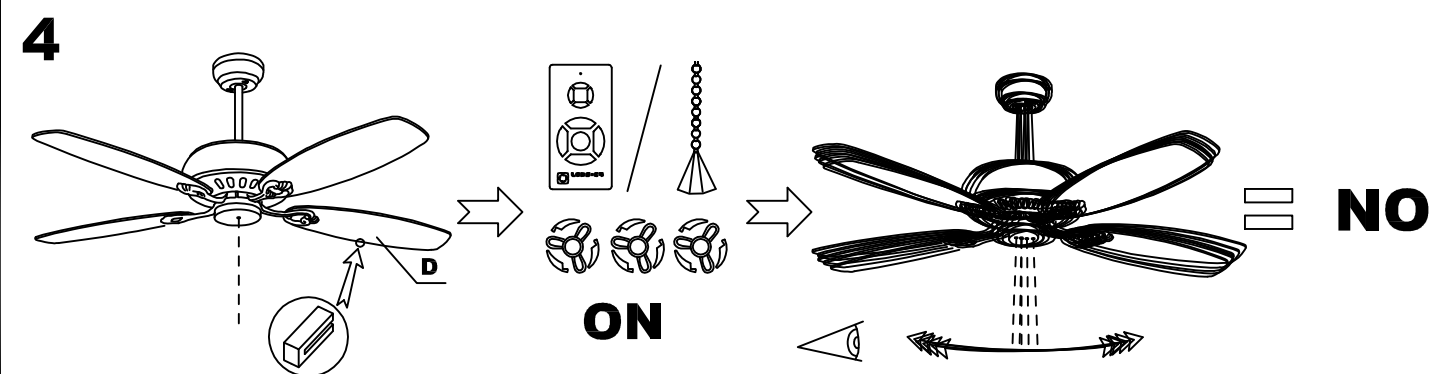
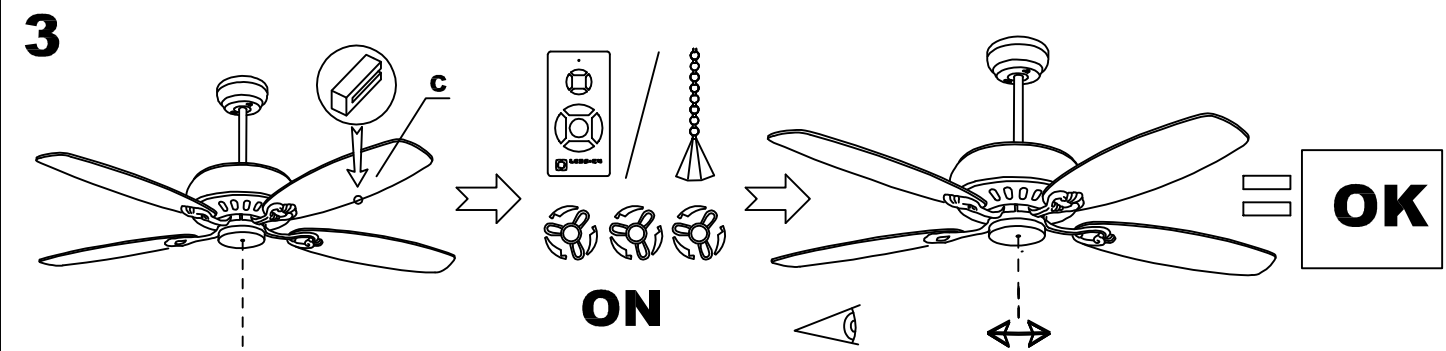
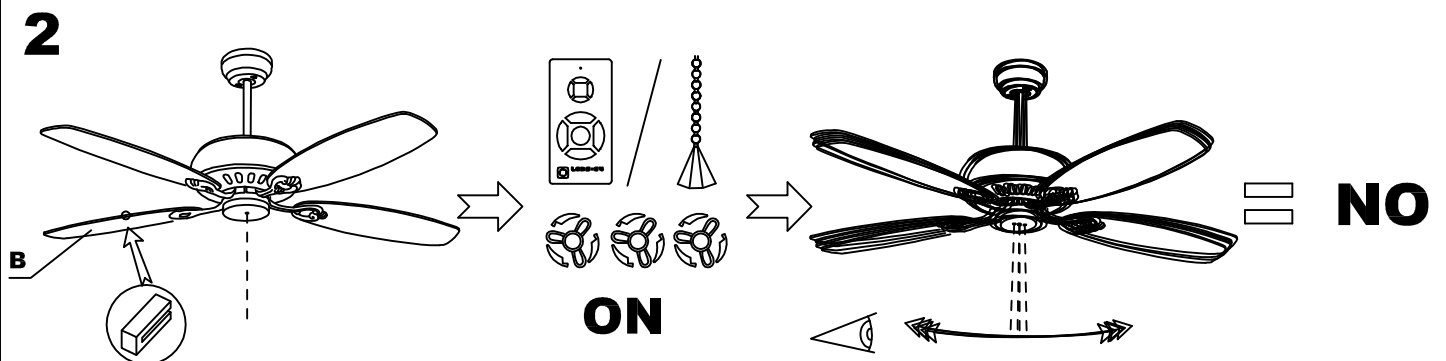
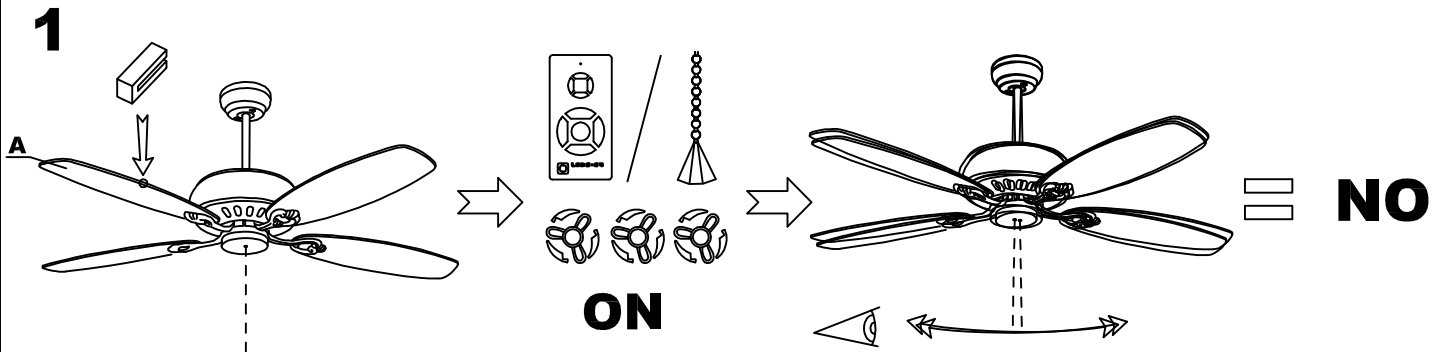
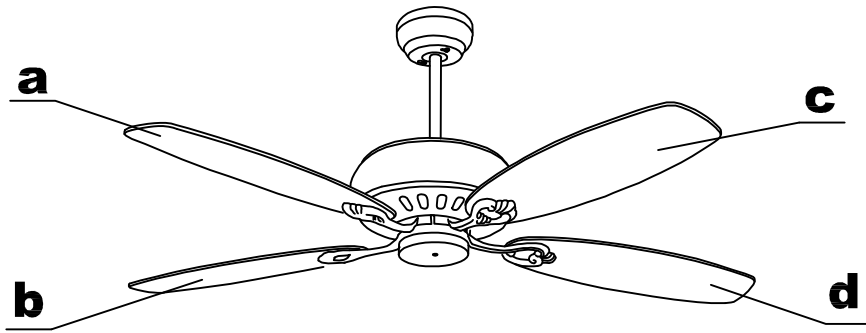


ON

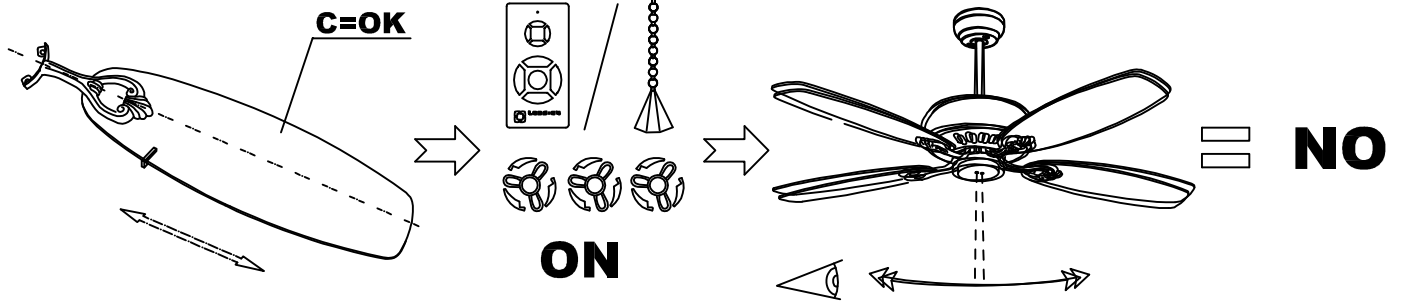


NO

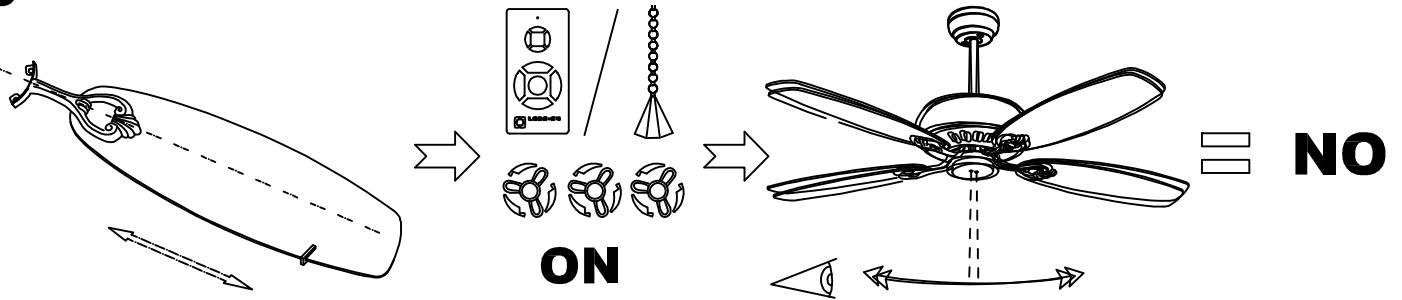




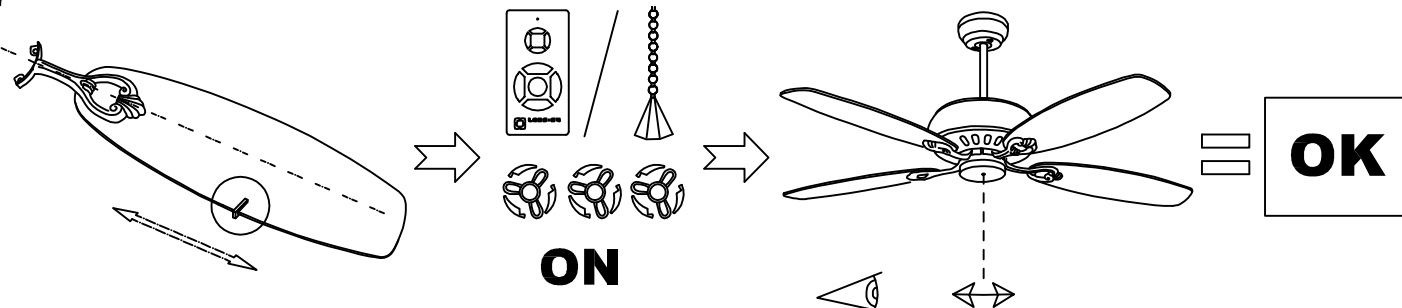
5



6



7



8

